

# WSC100

## Wind Speed Calibrator

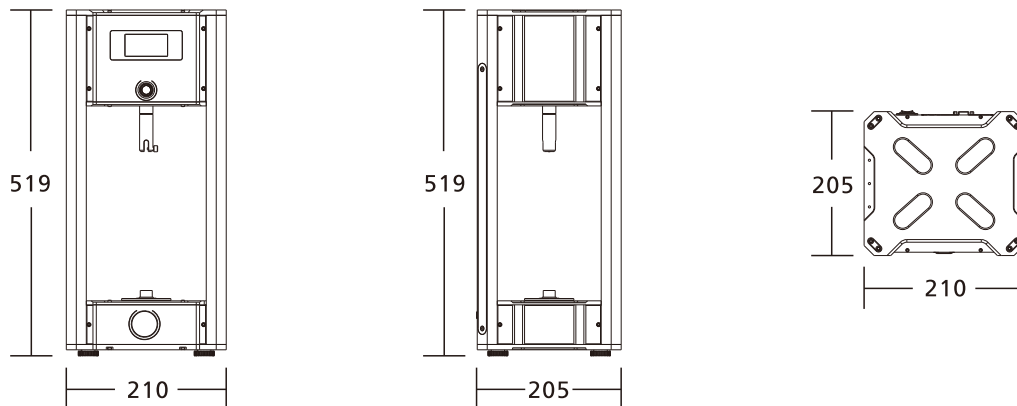
- Wind speed range 0~75m/s
- Reliable value traceability system
- High accuracy, maximum tolerance  $\pm 0.2\text{m/s} \pm 0.02\text{V}$
- Coaxial self-calibration system can correct errors within 2mm
- Support IP67 protection



### Technical specification

Wind speed range	0~75m/s
Resolution	0.1m/s
Max. deviation	$\pm 0.2\text{m/s} \pm 0.02\text{V}$ (V is standard wind speed)
Self-correcting coaxiality	2mm
Storage environment	-20~70°C, 10%~95%RH (non-condensing)
Operating environment	0°C~40°C; $\leq 85\%$ RH
Power supply	24VDC; Lithium polymer battery 14.8V / 8000mAh
Power	<25W
Battery power supply	Continuous work for 5 hours
Communication interface	RS232/485, USB, Ethernet(LAN)
Dimensions	210×205×519mm
Weight	3KG

### Dimensions(mm)



**ZOGLAB**

ZOGLAB Microsystem(Hangzhou) Co., Ltd

Add: Building B5 & B6, China iValley, Jiulong Ave, Yinhu Area, Fuyang District, Hangzhou, Zhejiang, China P.C:310000  
Tel: +86-571-87176990(16line) Fax: +86-571-87176992 E-mail: sales@zoglabb.cn

Please visit our website for more information <http://www.zoglabb.cn>



© All Rights Reserved ZOGLAB Microsystem Co., Ltd