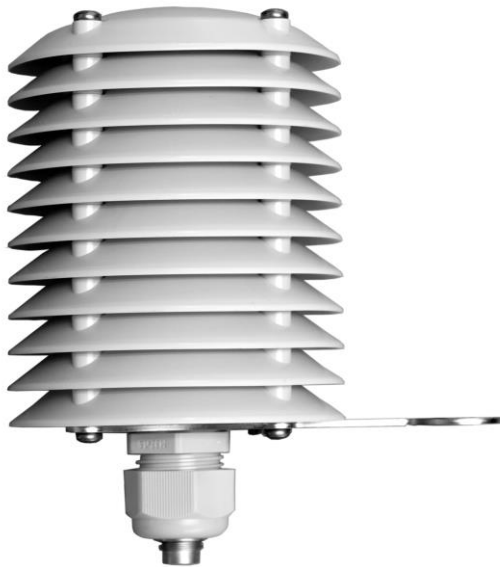




Air Temperature Sensor in Shelter

GROUP 2	TEMPERATURE
NO.	2033.0000
VERSION / DATE / NAME	02 / 10.2018 / Zi



2033.0000 / .1000



2033.0200 / .1200 / .0300 / .1300

DESCRIPTION

The temperature sensor type 2033 is equipped with a platinum resistance Pt 100, DIN 60751 B, 1/3 tolerance, with 4 line connection, incl. 5 m connection cable.

The sensor is placed in plastic shaft and screwed into the base plate by means of a cable duct. The base plate provides 2 holes, 30 mm distance, for M8-screws for fastening.

The according shelter is designed to avoid influence from radiation, precipitation etc. It consists of single segments plus a top cover, made of a special white plastic material.

Following versions are further available:

- ▶ Version with electrical ventilation, to obtain exact measuring values even with total calm.
- ▶ Version with measuring converter which is placed in a housing underneath the sensor. Outputs are 4...20 mA or 0...10 V.

Technical data are subject to change!



Air Temperature Sensor in Shelter

GROUP 2	TEMPERATURE
NO.	2033.0000
VERSION / DATE	02 / 10.2018

TECHNICAL DATA

Dimensions:	approx. \varnothing 120 mm, height approx. 240 mm
Weight:	max. 1.4 kg
Sensor:	Platinum resistance Pt 100, acc. to DIN 60751B, 1/3 tolerance
Cable:	LiY(C)Y, 4 x 0.5 mm ² , length 5 m
Cable; fan:	LiYY, 2 x 0.14 mm ² , length 5 m
Fan:	12 , approx. 70 mA (Versions 2033.1000, .1200 and .1300 only)

MEASURING CONVERTER

Input:	Pt 100, meas. Range -35...+45 °C, adjustable
Output:	4...20 mA or 0...10 V; supply 10...35 V DC load depending (500 Ω ...1.9 k Ω lin.)
Max. error:	\pm 0.25 %
Error by:	Supply voltage: < 50 ppm/V Ambient temp.: < 50 ppm/°C
EMV, Emission:	EN 50081-1 EN 50082-2
Operating temp.:	-40...+60 °C
Connection:	8-p. Connector IP 67

ORDERING CODE

Air temperature sensor, in shelter, incl. 5 m connection cable	2033.0000
Air temperature sensor, in shelter, electrically aspirated 12 V DC, incl. 5 m connection cable	2033.1000
Air temperature sensor, in shelter, with measuring converter 4...20 mA, incl. 5 m connection cable	2033.0200
Air temperature sensor, in shelter, with measuring converter 4...20 mA, electrically aspirated 12 V DC, incl. 5 m connection cable	2033.1200
Air temperature sensor, in shelter, with measuring converter 0...10 V, incl. 5 m connection cable	2033.0300
Air temperature sensor, in shelter, with measuring converter 0...10 V, electrically aspirated 12 V DC, incl. 5 m connection cable	2033.1300

INSTALLATION

The Instrument can be screwed down on a crossarm type 9111 or similar.

Technical data are subject to change!

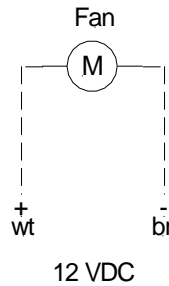
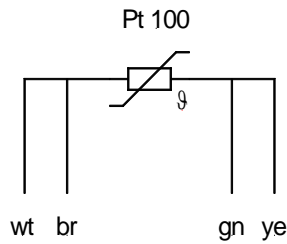


Air Temperature Sensor in Shelter

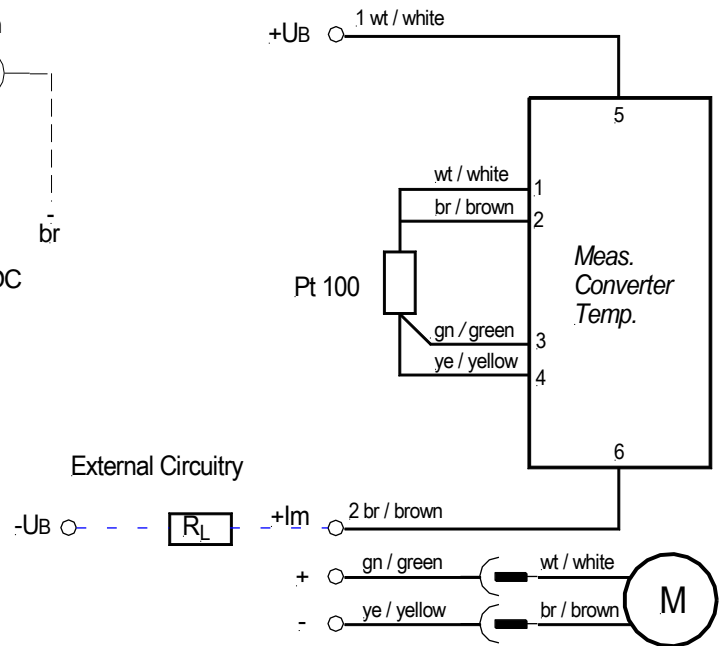
GROUP 2	TEMPERATURE
NO.	2033.0000
VERSION / DATE	02 / 10.2018

CONNECTION PLAN

Versions 2033.0000 and .1000



Versions 2033.0200 and .1200; 4...20 mA
2033.0300 and .1300; 0...10 V



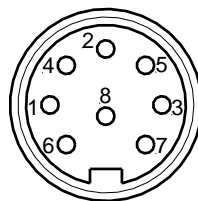
PIN CONFIGURATION

Symbol	Pin	Color	Description
+UB	1	wt / white	Supply meas. converter
+Im	2	br / brown	(4...20 mA) or (0...10 V)
+	3	gn / green	Fan +12 V
-	4	ye / yellow	Fan -12 V

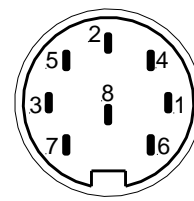
+UB = 10...35 V DC (admissible load to be considered!)

+Im measured against -UB

CABLE CONNECTOR



Front side, female socket



View on the solder termination side

Technical data are subject to change!

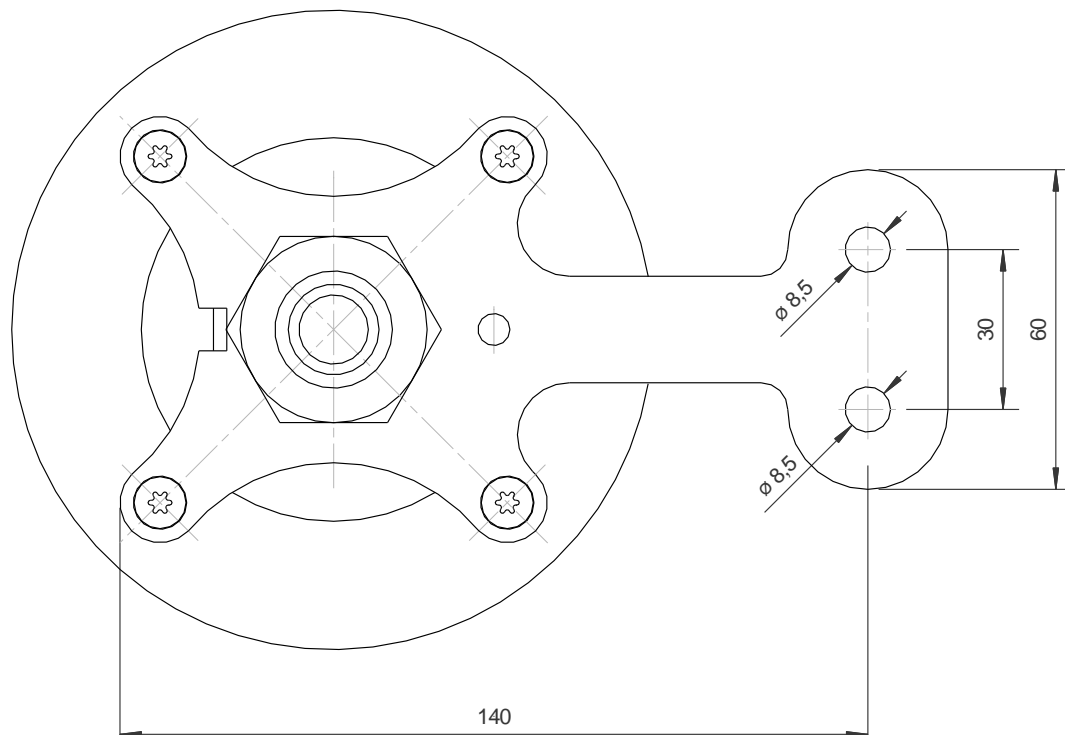


Air Temperature Sensor in Shelter

GROUP 2	TEMPERATURE
NO.	2033.0000
VERSION / DATE	02 / 10.2018

DIMENSIONS FOR INSTALLATION

VIEW FROM UNDERNEATH



Technical data are subject to change!