



# Si Global Radiation Sensor



## Description

The Sensor measures the global radiation, basing on a silicon diode with diffusor and PMMA-dome. Especially suitable as reference for photovoltaic systems, including built-in measuring amplifier.

The measuring results are allowing conclusions about medical and biological connections comparing to other spectral ranges.

The measuring head can be used in medical and biological research, in weather information and forecast systems, in climate research, in the agriculture and for public information in general.

## Technical Data

Meas. Range:	0...1.300 W/m <sup>2</sup>		
Spectr. Sensitivity:	380 nm...1.100 nm		
max. Sensitivity at:	780 nm		
Operating Temp.:	-20... +60 °C		
Output:	6003.1000: 0...5 V	6003.2000: 4...20 mA	6003.3000: 0...10 V
Power Supply:	9...30 VDC		
Diffusor:	PTFE		
Dome:	PMMA (UV- pervious)		
Cosinus Correction:	f2 < 6 %		
Linearity:	6003.1000: < 5 %	6003.2000: < 5 %	6003.3000: < 3 %
Absolute Error:	< 10 %		
Dimensions:	Ø 42 x 70 mm		
Weight:	approx. 100 g		

## Ordering Code

Si-Global Radiation Sensor,	output 0...5 V	<b>6003.1000</b>
Si-Global Radiation Sensor,	output 4...20 mA	<b>6003.2000</b>
Si-Global Radiation Sensor	output 0...10 V	<b>6003.3000</b>

Technical data are subject to change!



GROUP 6

RADIATION

NO.

**6003.0000**

VERSION / DATE

04 / 03.2015

# Si Global Radiation Sensor

## Connection plan

2.5 m on fixed cable:

### Version 6003.1000, 0...5 V

1	white	Supply Vcc / U <sub>B</sub>
2	brown	GND
3	green	Signal GS

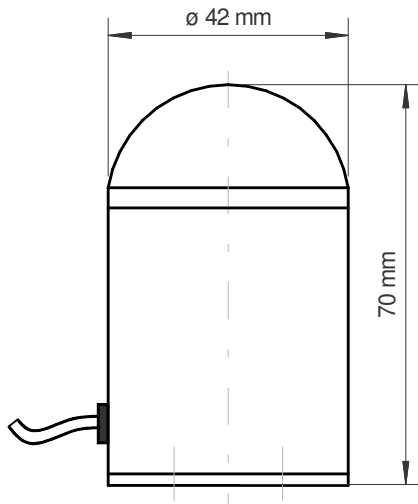
### Version 6003.2000, 4 ... 20 mA

1	white	Supply Vcc / U <sub>B</sub>
2	brown	GND

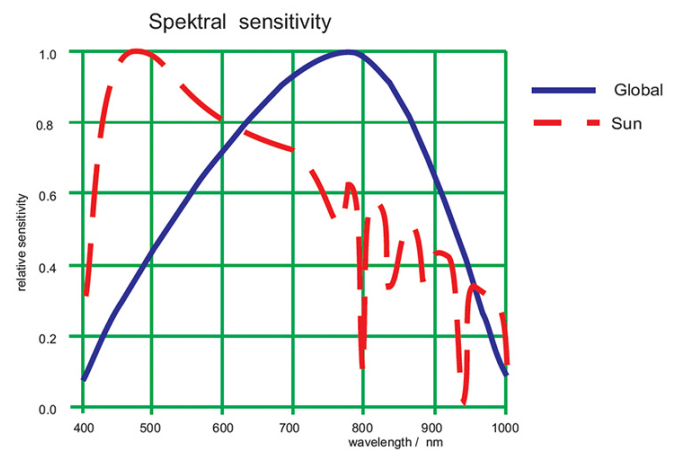
### Version 6000.3000, 0 ... 10 V

1	white	Supply Vcc / U <sub>B</sub>
2	brown	GND
3	grey	GND
3	yellow	Output

## Dimensions



## Diagram



Technical data are subject to change!