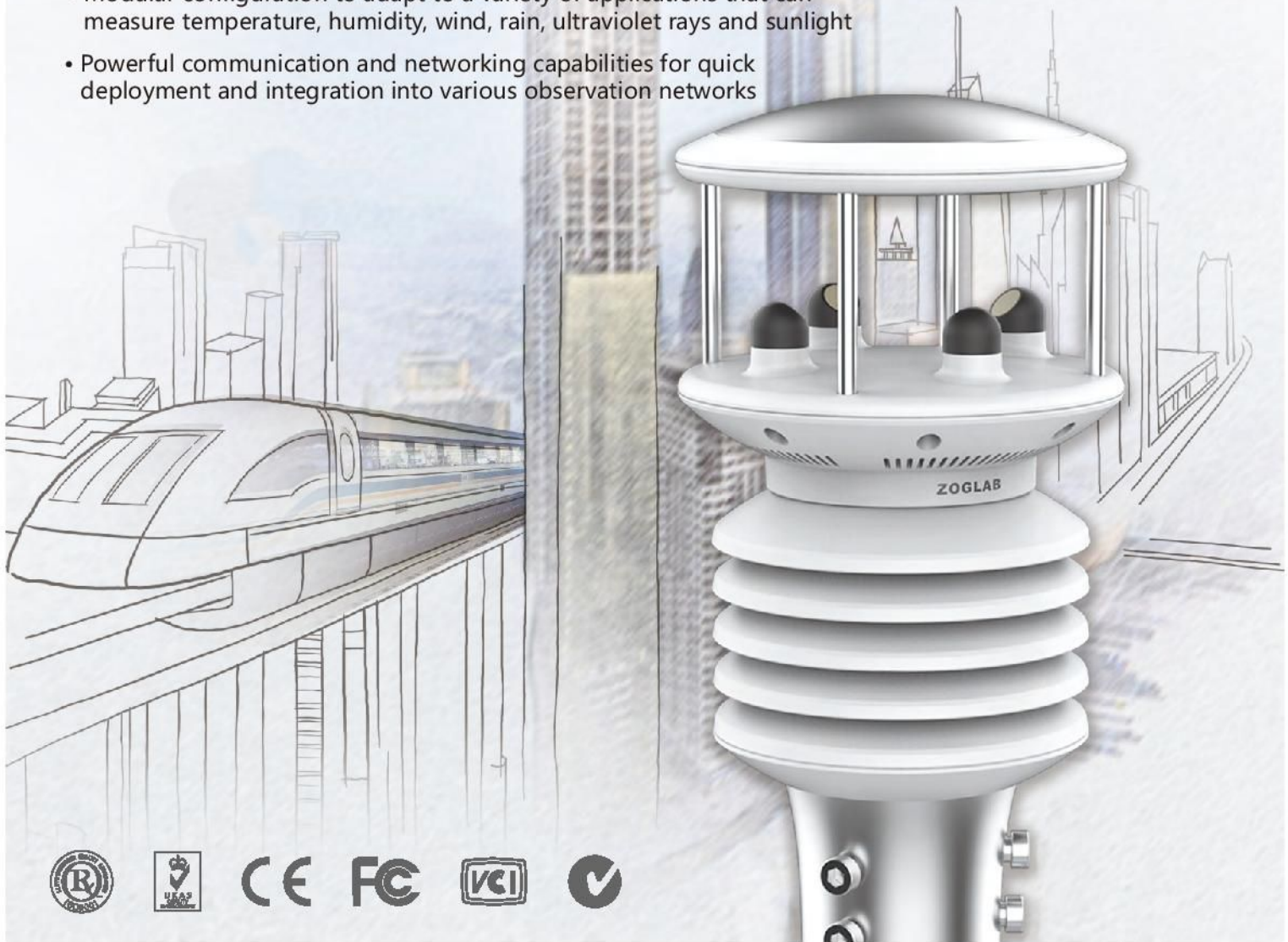


- A model of miniaturization technology for professional meteorological measurement
- Designed for high reliability in urban outdoor applications
- Product design focusing on natural and ecological integration
- Modular configuration to adapt to a variety of applications that can measure temperature, humidity, wind, rain, ultraviolet rays and sunlight
- Powerful communication and networking capabilities for quick deployment and integration into various observation networks



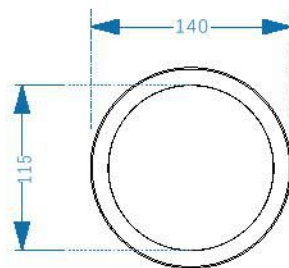
MWS3000 Micro Weather Station

MWS3000 is a compact all-solid-state all-in-one micro-weather station that supports measurement of multiple elements including air temperature, air relative humidity, air barometric pressure, ultrasonic wind speed, ultrasonic wind direction and precipitation. MWS3000 has made major breakthroughs in the protection and durability of the whole instrument. The high-strength anti-ultraviolet ABS casing enables this product to be exposed to outdoor sunlight for a long time, providing much needed durability for outdoor meteorological observation. It can be widely used in meteorology, civil aviation, marine, environmental protection, space research and other fields.

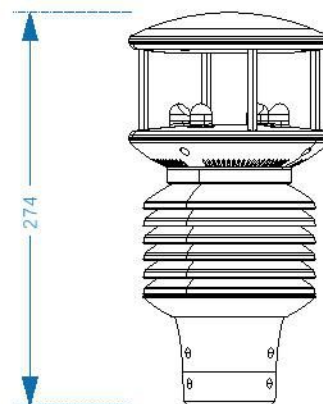
Technical Specifications

Temperature measuring range	-30°C~50°C
Temperature measuring accuracy	±0.3°C, ±0.2°C (5°C~35°C)
Temperature resolution	0.1°C
Humidity measuring range	0~100%RH
Humidity measuring accuracy	±3%RH (10%RH~90%RH) ±5%RH(90%RH~100%RH)
Humidity resolution	0.1%RH
Pressure measuring range	300hPa~1100hPa
Pressure measuring accuracy	±0.3hPa(0°C~50°C), ±0.5hPa(-30°C~0°C)
Pressure resolution	0.1hPa
Wind speed measuring range	Wind speed measuring range 0~50 m/s
Wind speed measuring accuracy	±0.5m/s(0~15m/s), ±4%(>15m/s)
Wind speed resolution	0.1 m/s
Wind direction measuring range	0° ~360°
Wind direction measuring accuracy	±2° (≤ ±10°), ±4° (> ±10°)
Wind direction resolution	1°
Rainfall measuring accuracy	Better than 15%
Rainfall resolution	0.1mm
UV measuring accuracy	±1.5UV
UV resolution	0.1UV
Ambient light dynamic range	128klx
Ambient light resolution	100mlx
Communication interface	RS232/485
Power supply	Solar power supply, external power adapter (5~30VDC) power supply
Operating environment	-30°C~50°C, 10%RH~95%RH (No condensation)
Dimensions	φ 140mm*274mm
Power consumption	<1W
Weight	1030g
Installation height above ground	Flexible installation according to the actual situation, ≥700mm above the ground
Distance from main pole	≥600mm
Certifications	CE,FCC,VCCI,CTICK

Dimensions (mm)



Top view



Front view